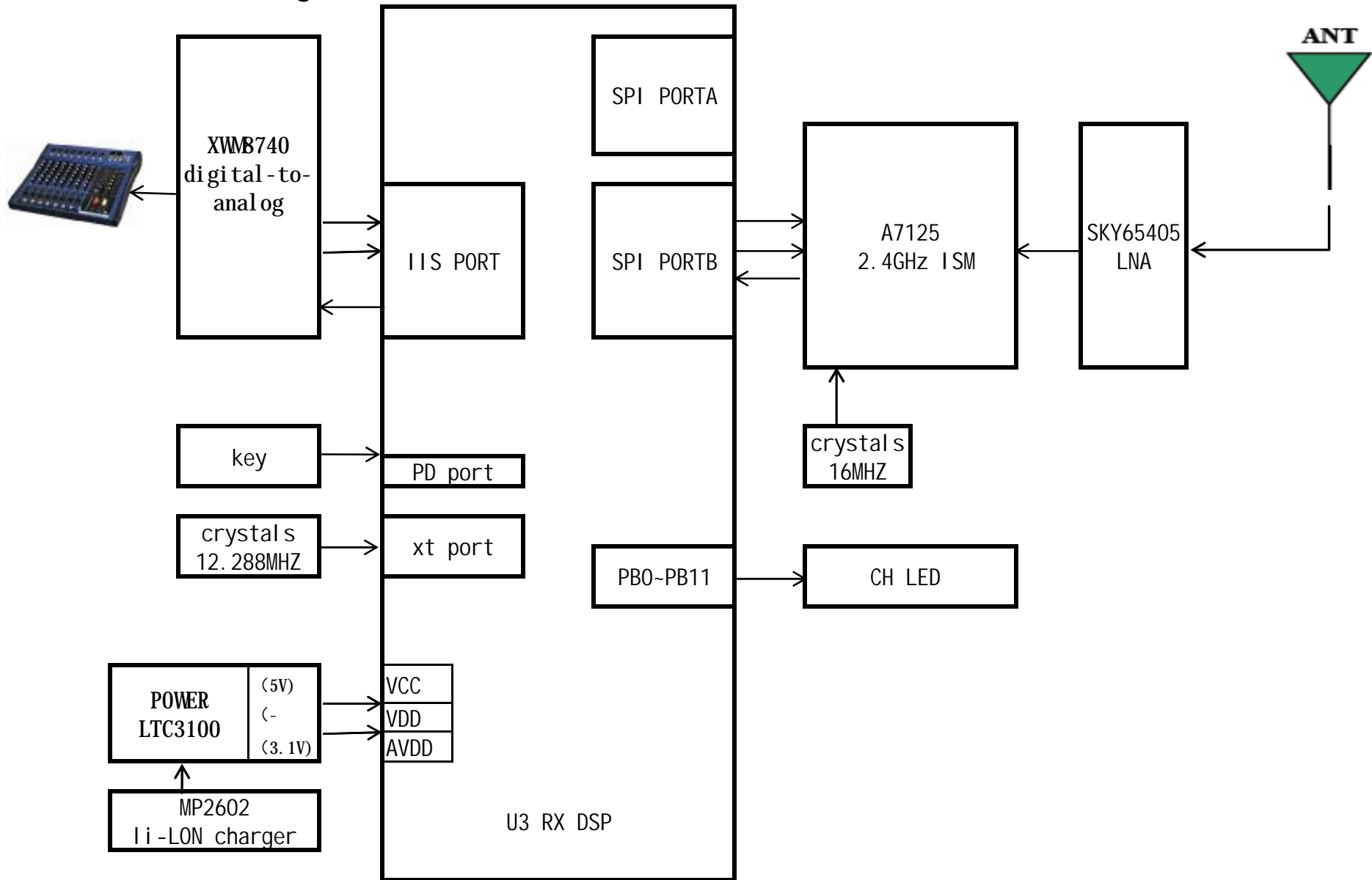


# U3 Receiving



# U3 Transmitting

