

NOTES - UNLESS OTHERWISE SPECIFIED:
 1. ALL ASSEMBLY DIMENSIONS FOR REFERENCE ONLY

REVISIONS		DATE	APPR
ZONE	REV	DESCRIPTION	
-	-	INITIAL ENGINEERING RELEASE	03/18/2015 JPH

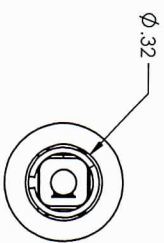
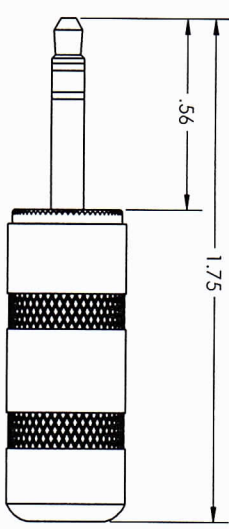
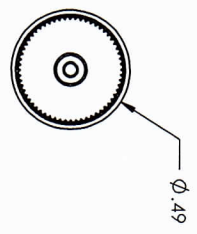
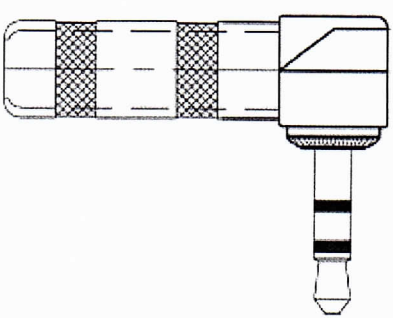
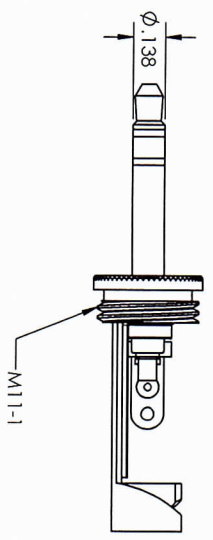
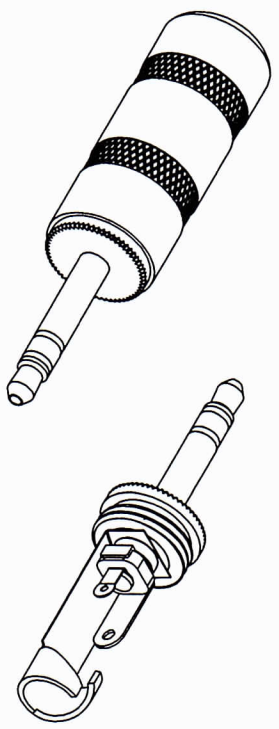


TABLE A

PART NO.	PART DESCRIPTION
GH2025	STEREO, STRAIGHT
GH2025R	STEREO, RIGHT ANGLED



NOTE: DIMENSIONS SHOWN IDENTICAL ON GH2025R PART



ISOMETRIC VIEWS
 FOR REFERENCE ONLY
 SCALE NONE

PROPRIETARY AND CONFIDENTIAL
 THE INFORMATION CONTAINED IN THIS DRAWING IS THE SOLE PROPERTY OF ABBARON. IT IS TO BE USED ONLY FOR THE PART OR AS A WHOLE WITHOUT THE WRITTEN PERMISSION OF ABBARON IS PROHIBITED.

QTY	FIND CAGE NO	IDENTIFYING NUMBER	PART OR IDENTIFYING NUMBER	NOMENCLATURE OR DESCRIPTION	DRAWING OR SPEC NO	NOTES
PARTS LIST						
UNLESS OTHERWISE SPECIFIED:				DRAWN	JPH	03/18/2015
DIMENSIONS ARE IN INCHES				CHECKED		
TOLERANCES: ± .005				ENG APPR.		
ANGULARS: ± 1/4°				MFG APPR.		
TWO PLACE DECIMAL ±.01				Q.A.		
THREE PLACE DECIMAL ±.005				COMMENTS:		
INTERPRET GEOMETRIC TOI PER ASME Y14.5-2009				CONNECTOR ASSY, 3.5 MM		
MATERIAL: See Notes				SIZE DWG. NO. B		
FINISH: NICKEL				SCALE: 2:1		
DO NOT SCALE DRAWING				WEIGHT:		
APPLICATION				SHEET 1 OF 1		
NEXT ASSY				REV -		
USED ON				SEE TABLE A		

ABBARON
 13880 S. MCDERMOTT ROAD 814-724-6440 TEL
 WRENCHVILLE, IA 16595 814-535-1712 FAX