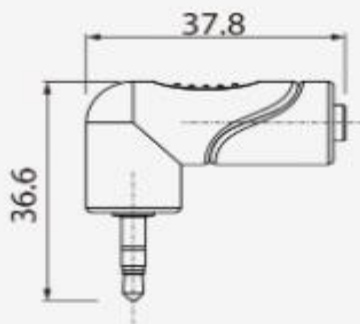
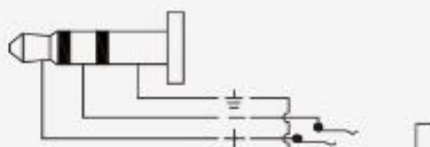




ENGINEERING DRAWING:



WIRING DIAGRAM:



RPAN200

ELABORO

REVISO

AUTORIZO

COPIA
CONTROLADA

PAGINA

No.

1 de 1

